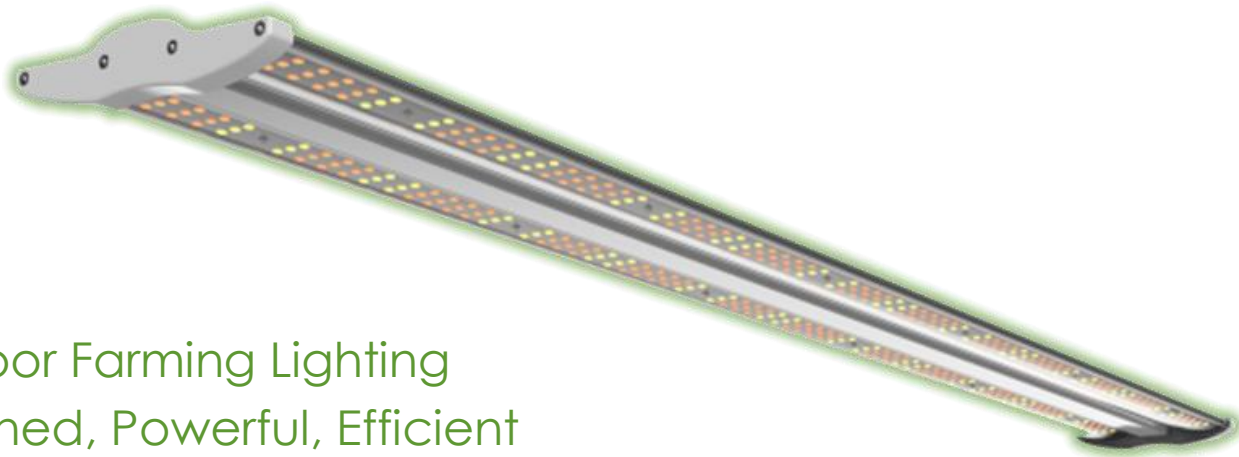
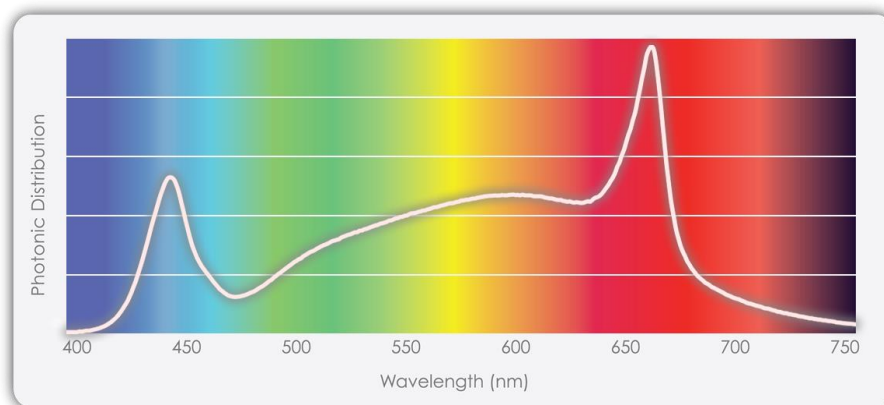


## TotalGrow™ Stratum



## Indoor Farming Lighting Refined, Powerful, Efficient


- Exceptionally thin profile to maximize space
- Full spectrum and modular design for exceptional versatility
- Broad panel/bar hybrid for improved uniformity and penetration
- Simple mounting and electrical installation to save time and costs

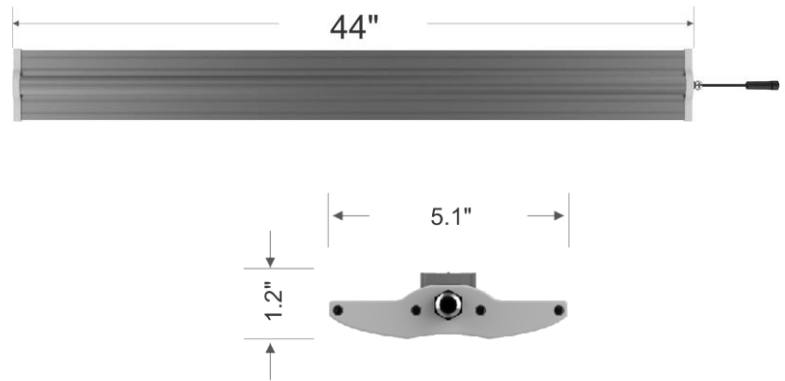


*Spectrum Customization Available*

The TotalGrow Stratum is designed and refined to maximize yields, space and versatility while minimizing costs. The spectrum and size are ideal for low/no-sunlight growing in virtually any vertical farm, growth chamber, propagation system, tower garden and more. Exceptional efficiencies and light delivery potential, along with long, low maintenance lifespans provide long-term sustainability.

## Product Specifications / Installation

Power Consumption	40W
Output	92 $\mu\text{mol/s}$
Output Efficiency	2.3 $\mu\text{mole/J}$
Dimensions (LxWxH)	44"x5.1"x1.2"
Input Voltage	100-277VAC, 50/60 Hz
Projected Service Life	50,000 hours
Warranty	5 Years
Waterproof	IP65
	
Contact: <a href="mailto:info@venntis.com">info@venntis.com</a>	

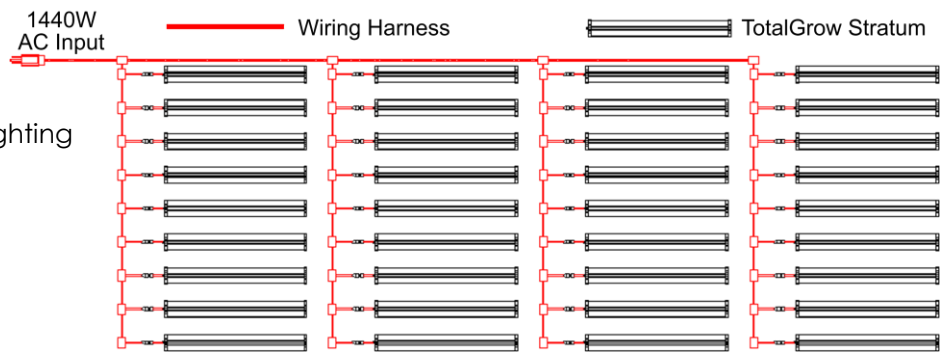


## Usage Guidelines

Every application is unique, and our lighting experts will gladly provide you with a detailed, custom light plan (contact [info@venntis.com](mailto:info@venntis.com)).

Custom wiring harnesses create the cleanest, simplest power distribution for your operation. An example is shown for a typical  $250 \mu\text{mol} \cdot \text{m}^{-2} \cdot \text{s}^{-1}$  setup over several 4'x8' shelves.

Minimum height requirements are as low as 3-4" total above the plants, though higher heights can be used as well.



Maximize yields, quality, plant density, space and uniformity.  
 Minimize costs, power consumption, maintenance, effort and headaches.