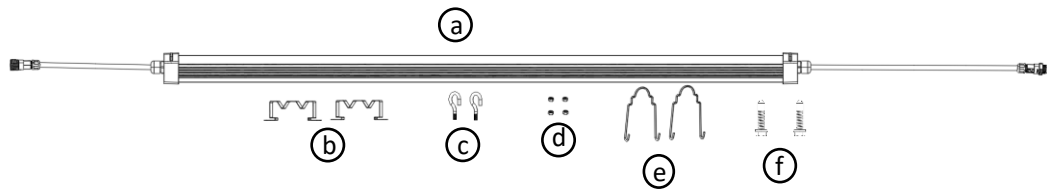


## GETTING STARTED

Unpack box, carefully remove contents, and ensure your grow light fixture includes the following:

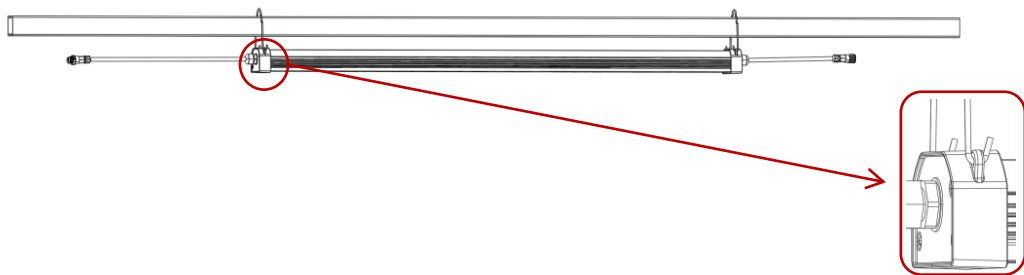
- a. (1x) LED Grow Light Fixture
- b. (2x) M-shaped Mounting Hangers
- c. (2x) M5 Hooks
- d. (4x) M5 Nuts
- e. (2x) Light Mounting Brackets
- f. (2x) Flange Outer Hexagonal Self-tapping Screws



## MOUNTING

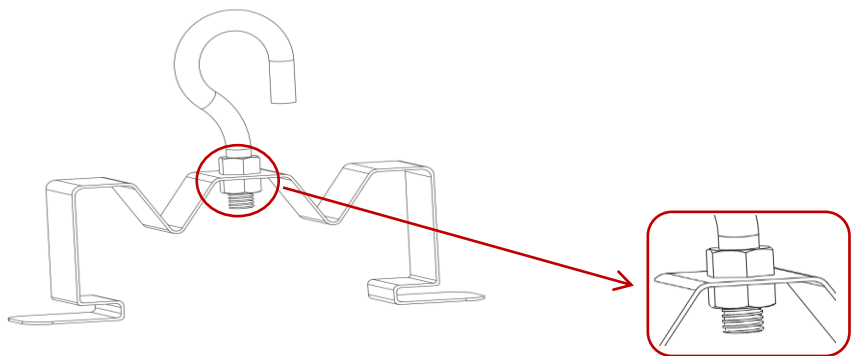
### Mounting Option 1

Hang the light mounting brackets over a support rod or other overhead structure, and then pass them through the endcaps of the light fixture, as shown below.

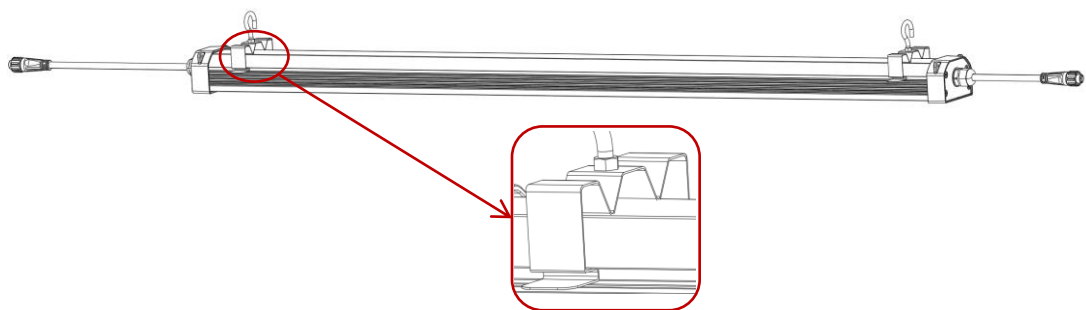


### Mounting Option 2

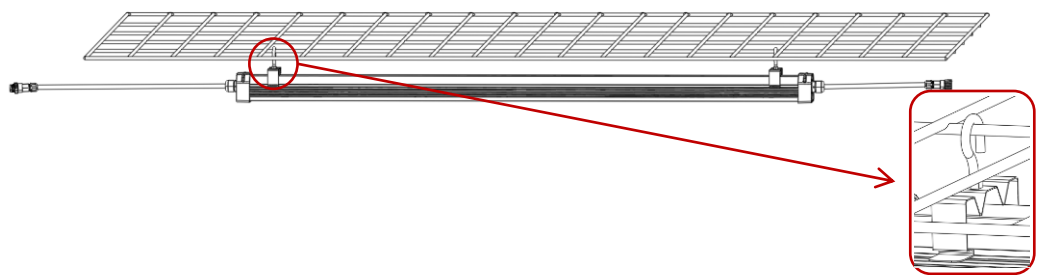
1. Fix the M5 hooks through the holes of the M-shaped mounting hangers with M5 nuts, as shown below.



2. Clip the two M-shape mounting hangers on the light fixture, as shown below.

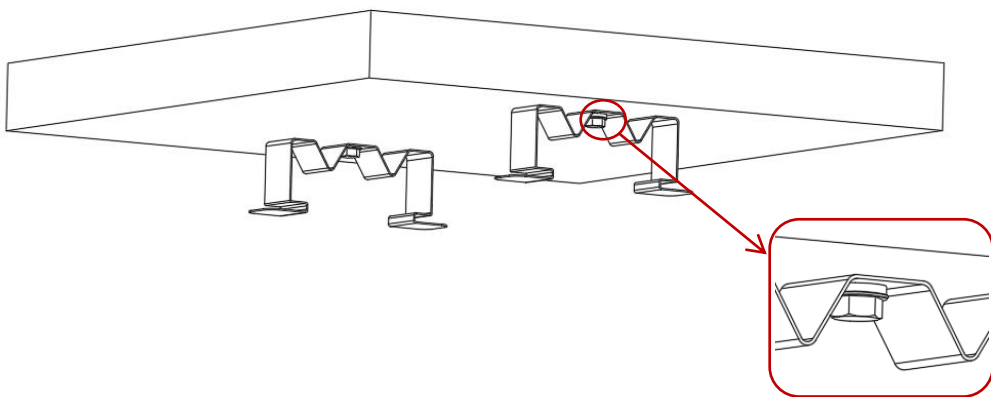


3. Hang the two M5 hooks on a wire shelving deck or similar overhead structure, as shown below.

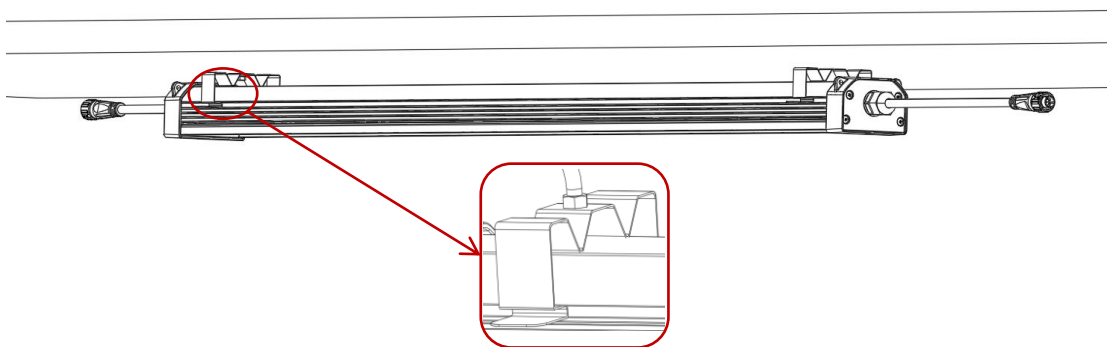


*Mounting Option 3*

1. Fix the two M-shaped mounting hangers onto an overhead surface with the flange outer hexagonal self-tapping screws, as shown below.

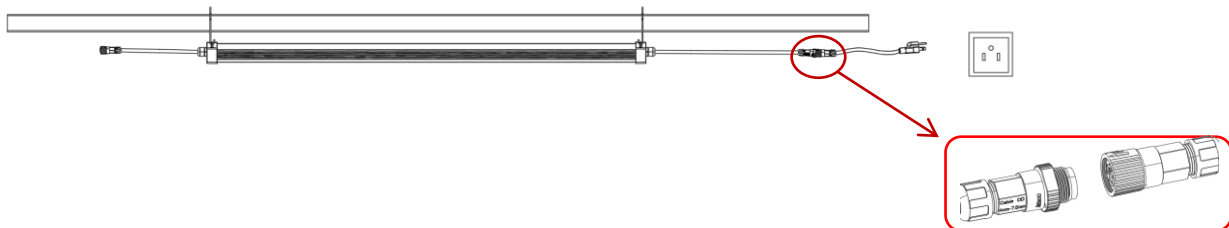


2. Clip the two M-shaped mounting hangers onto the light fixture, as shown below.



**POWER**

Attach a TotalGrow power cord to the AC input cable (the longer cord) and plug/hard-wire into 100-277V AC power.



*Linking*

Each Mezzo light has an AC output connector as well. Multiple lights can share one plug/junction box by connecting the AC input and AC output cords on neighboring lights. Linking limits are:

- 120V: 10 lights maximum
- 208V: 17 lights maximum
- 240V: 20 lights maximum
- 277V: 24 lights maximum

Regular Linking



Splitter Linking (not included)

